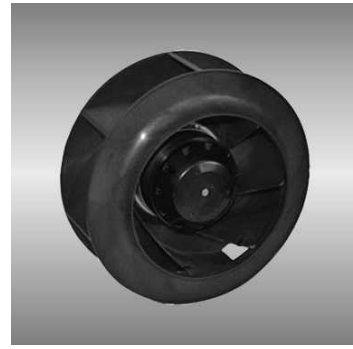


# 225 JGE series

## Ø225X99mm



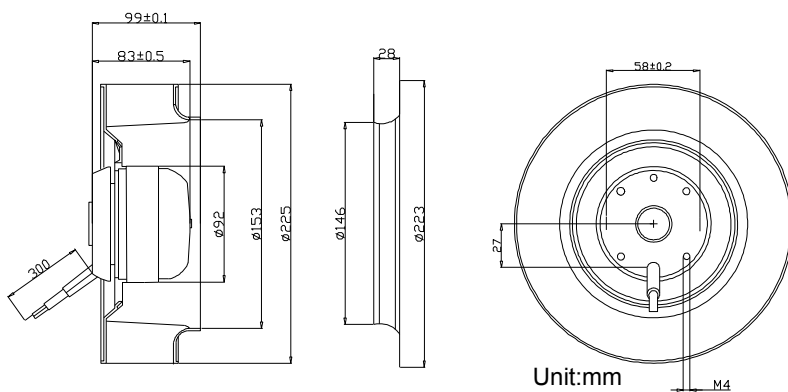
### ● General Specification

- Motor / Outer rotor induction capacitor motor
- Material / Frame:Al alloy ; Impeller:PA plastic
- Insulation / Class B
- Connection / Wire leads
- Protection / IP44
- Bearing / Dual ball bearing
- Weight / 1.9 Kg

### ● Specification

Model	Rated Voltage	Frequency	Rated Current	Rated Power	Rated Speed	Maximum Air Flow		Maximum Static Pressure		Sound Level
						m <sup>3</sup> /h	CFM	Pa	In-H <sub>2</sub> O	
Part No.	V	Hz	A	W	RPM	m <sup>3</sup> /h	CFM	Pa	In-H <sub>2</sub> O	dBA
JGE22599B2	230	50	0.6	132	2650	1420	836	150	2.1	73
JGE22599B2	230	60	0.85	188	2950	1660	977	208	2.3	75

### ● Drawing



### ● Characteristic Curves

