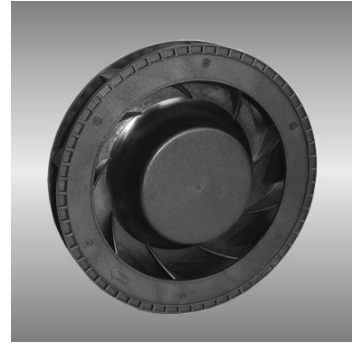


# 105 BG series

Ø105X25mm



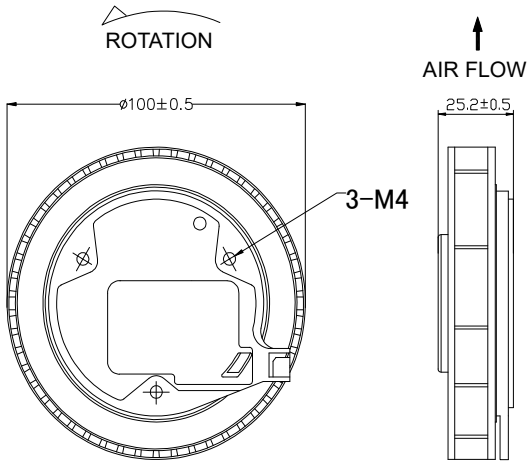
## ● General Specification

- Motor / DC brushless motor
- Material / Frame : plastic(94V-0) ; Impeller : plastic(94V-0)
- Operation temp. / -10°C~70°C ; Storage temp. / -40°C~80°C
- Bearing / Two ball precision bearing
- Insulator class "B"
- Weight / 0.13kg

## ● Specification

Model	Bearing System	Rated Voltage	Rated Current	Rated Speed	Maximum Air Flow		Maximum Static Pressure		Sound Level	P-Q Curve
Part No.	B / S / F	V	A	RPM	m³/hr	CFM	Pa	In-H <sub>2</sub> O	dBA	No.
BGN10525B12H	B	12	0.5	4300	71	42	222	0.89	53	①
BGN10525B12U	B	12	1.1	5300	93	55	371	1.49	58	②

## ● Drawing



## ● Characteristic Curves

