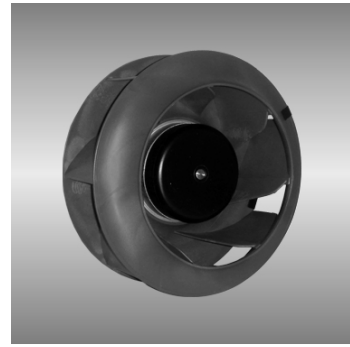


225 BG series

Ø220X99mm



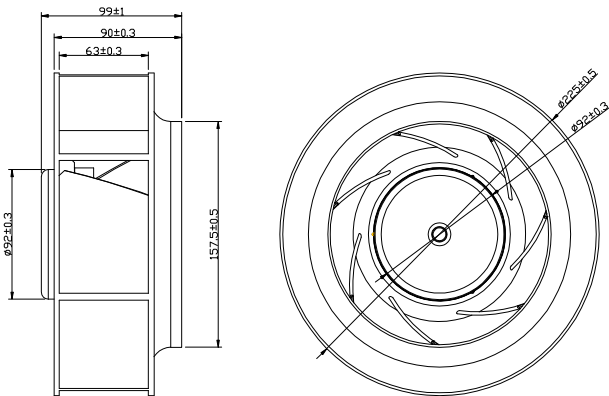
● General Specification

- Motor / DC three-phase brushless motor
- Material / Frame : die cast aluminum ; Impeller : plastic(94V-0)
- Rotational direction CW view from front face
- Bearing / Two ball precision bearing
- Insulator class "B"
- Weight / 1.5kg

● Specification

Model	Bearing System	Rated Voltage	Rated Current	Rated Speed	Maximum Air Flow		Maximum Static Pressure		Sound Level	P-Q Curve
Part No.	B / S / F	V	A	RPM	m ³ /hr	CFM	Pa	In-H ₂ O	dBA	No.
BGN22599B24M	B	24	4.5	2700	1160	683	530	2.13	67	①
BGN22599B48H	B	48	2.3	2700	1160	683	530	2.13	67	①

● Drawing



● Characteristic Curves

