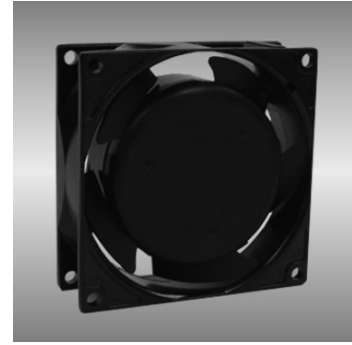


# 80

## IGE series

80X80X25mm



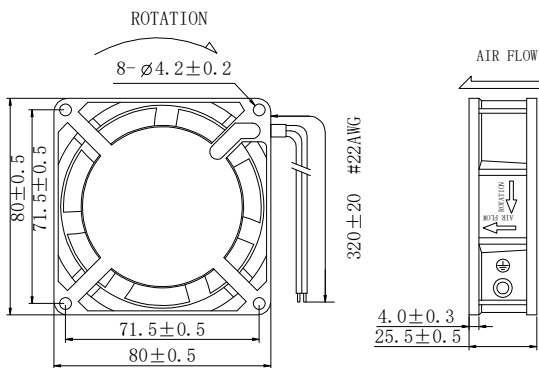
### ● General Specification

- Motor / Inner rotor, shaded pole AC motor
- Material / Frame: Al alloy  
Impeller: PBT plastic
- Insulation / Class 'B' or 'F'
- Connection / Lead wires ; Terminal
- Weight / 260 g

Model	Motor Type	Bearing System	Rated Voltage	Frequency	Watt	Rated Speed	Maximum Air Flow	Maximum Static Pressure	Sound Level
Part No.	○/◎	B / S / F	V	Hz	W	RPM	m <sup>3</sup> /min CFM	mm-H <sub>2</sub> O In-H <sub>2</sub> O	dBA
IGE08025_1H	○	B	110	50/60	12.0/9.5	2550/2000	0.49/0.61 17/21	1.8/2.2 0.07/0.08	28/33
IGE08025_2H	○	B	230	50/60	12.0/9.5	2550/2000	0.49/0.61 17/21	1.8/2.2 0.07/0.08	28/33

Motor type ○:shaped pole AC motor/◎:capacitor induction motor

### ● Drawing



### ● Characteristic Curves

