

120 IGE series

120X120X38mm



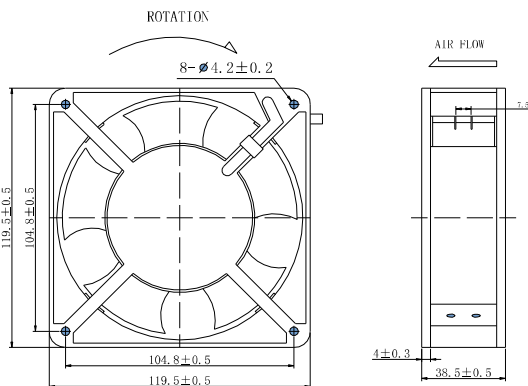
• General Specification

- Motor / Inner rotor, shaded pole AC motor
- Material / Frame: Al alloy
Impeller: PBT plastic
- Insulation / Class 'B' or 'F'
- Connection / Lead wires ; Terminal
- Weight / 530 g

Model	Motor Type	Bearing System	Rated Voltage	Frequency	Watt	Rated Speed	Maximum Air Flow	Maximum Static Pressure	Sound Level		
Part No.	○/◎	B / S / F	V	Hz	W	RPM	m ³ /min	CFM	mm-H ₂ O	In-H ₂ O	dBA
IGE12038_1H	◎	B	110	50/60	21/19	2600/3000	2.57/2.97	91/105	6.35/7.62	0.25/0.30	43/44
IGE12038_2H	◎	B	230	50/60	21/19	2600/3000	2.57/2.97	91/105	6.35/7.62	0.25/0.30	43/44

Motor type ○:shaped pole AC motor/◎:capacitor induction motor

• Drawing



• Characteristic Curves

