

172 IGE series

172X150X51mm



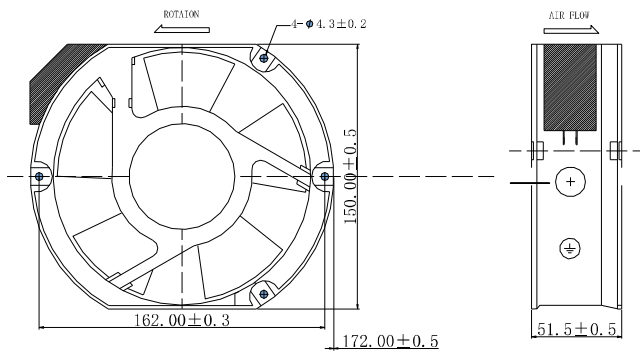
● General Specification

- Motor / Inner rotor, shaded pole AC motor
- Material / Frame: Al alloy
Impeller: PBT plastic
- Insulation / Class 'B' or 'F'
- Connection / Lead wires ; Terminal
- Weight / 260 g

Model	Motor Type	Bearing System	Rated Voltage	Frequency	Watt	Rated Speed	Maximum Air Flow	Maximum Static Pressure	Sound Level
Part No.	○/◎	B / S / F	V	Hz	W	RPM	m ³ /min CFM	mm-H ₂ O In-H ₂ O	dBA
IGE17251B1H	◎	B	110	50/60	36/34	2500/2500	5.10/5.62 180/198	9.6/12.2 0.38/0.48	50/50
IGE17251B2H	◎	B	230	50/60	36/34	2500/2500	5.10/5.62 180/198	9.6/12.2 0.38/0.48	50/50

Motor type ○:shaped pole AC motor/◎:capacitor induction motor

● Drawing



● Characteristic Curves

