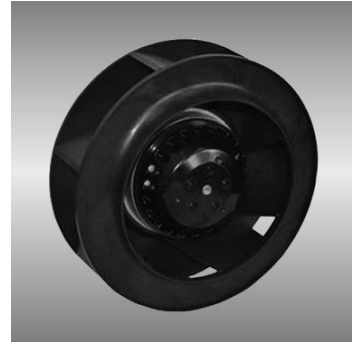


# 190 JGE series

Ø190X69mm



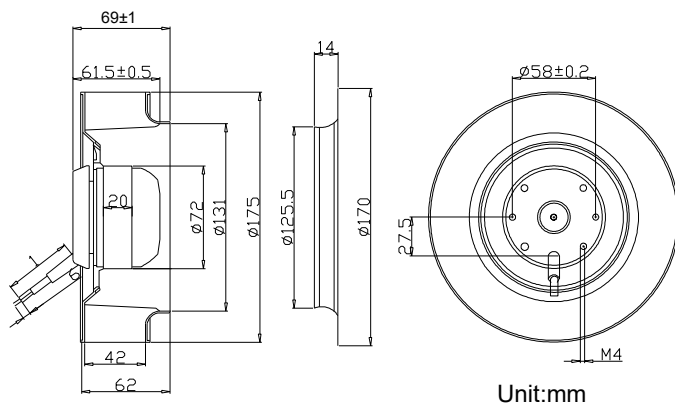
## ●General Specification

- Motor / Outer rotor induction capacitor motor
- Material / Frame:Al alloy ; Impeller:PA plastic
- Insulation / Class B
- Connection / Wire leads
- Protection / IP44
- Bearing / Dual ball bearing
- Weight / 1.2 Kg

## ●Specification

Model	Rated Voltage	Frequency	Rated Current	Rated Power	Rated Speed	Maximum Air Flow		Maximum Static Pressure		Sound Level
						m <sup>3</sup> /h	CFM	Pa	In-H <sub>2</sub> O	
Part No.	V	Hz	A	W	RPM					dBA
JGE19069B2	230	50	0.29	64	2500	570	335	342	1.4	64
JGE19069B2	230	60	0.33	77	2800	620	365	425	1.7	67

## ● Drawing



## ● Characteristic Curves

