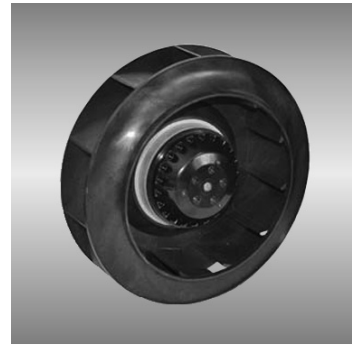


220 JGE series

Ø220X71mm



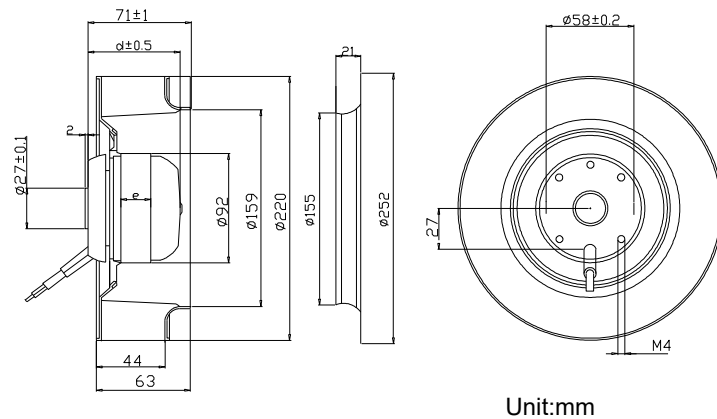
● General Specification

- Motor / Outer rotor induction capacitor motor
- Material / Frame: Al alloy ; Impeller: PA plastic
- Insulation / Class B
- Connection / Wire leads
- Protection / IP44
- Bearing / Dual ball bearing
- Weight / 1.5 Kg

● Specification

Model	Rated Voltage	Frequency	Rated Current	Rated Power	Rated Speed	Maximum Air Flow	Maximum Static Pressure	Sound Level		
Part No.	V	Hz	A	W	RPM	m ³ /h	CFM	Pa	In-H ₂ O	dBA
JGE22071B2	230	50	0.38	86	2350	930	547	395	1.3	66

● Drawing



● Characteristic Curves

