

# 120 AGE series

## 120X120X25mm



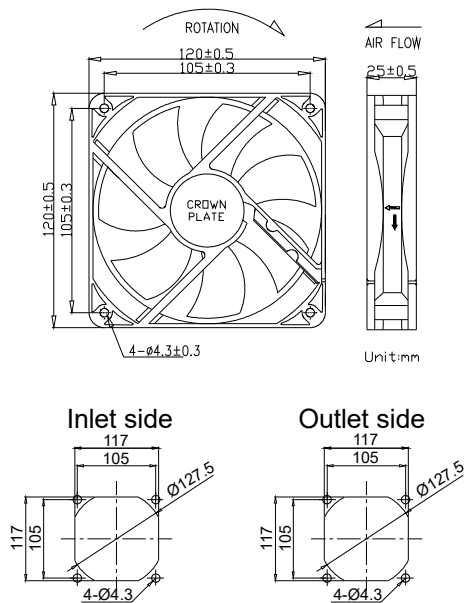
### ● General Specification

- Motor / DC single phase brushless motor
- Material / Frame : PBT (94V-0) ; Impeller : PBT(94V-0)
- Operation temp. / Two ball bearing : -10°C~70°C  
FMB,sleeve Bearing : -10°C~50°C
- Storage temp. / -40°C~80°C
- Non-condensing environment
- Weight / 152g

### ● Specification \*Bearing system B:two ball bearing F:fluid bearing S:sleeve bearing

Model	*Bearing System	Rated Voltage	Operating Voltage	Rated Current	Rated Speed	Maximum Air Flow	Maximum Static Pressure	Sound Level	P-Q Curve		
P/N	B / S / F	V	V	A	RPM	m³/min	CFM	Pa	In-H <sub>2</sub> O	dB(A)	No.
AGE12025_12J	B / F / S	12	6.0~13.2	0.08	1200	1.15	40.6	20.6	0.08	19	①
AGE12025_12L	B / F / S	12	6.0~13.2	0.18	1900	1.97	69.6	33.3	0.13	29	②
AGE12025_12M	B / F / S	12	6.0~13.2	0.20	2200	2.21	78.2	44.1	0.18	31	③
AGE12025_12H	B / F / S	12	6.0~13.2	0.28	2500	2.42	85.5	49.0	0.20	36	④
AGE12025_24J	B / F / S	24	14.0~26.4	0.05	1200	1.15	40.6	20.6	0.08	19	①
AGE12025_24L	B / F / S	24	14.0~26.4	0.10	1900	1.97	69.6	33.3	0.13	29	②
AGE12025_24M	B / F / S	24	14.0~26.4	0.18	2200	2.21	78.2	44.1	0.18	31	③
AGE12025_24H	B / F / S	24	14.0~26.4	0.26	2500	2.42	85.5	49.0	0.20	36	④

### ● Drawing & panel out-cuts



### ● Characteristic Curves

