

150 AGE series

150X172X51mm



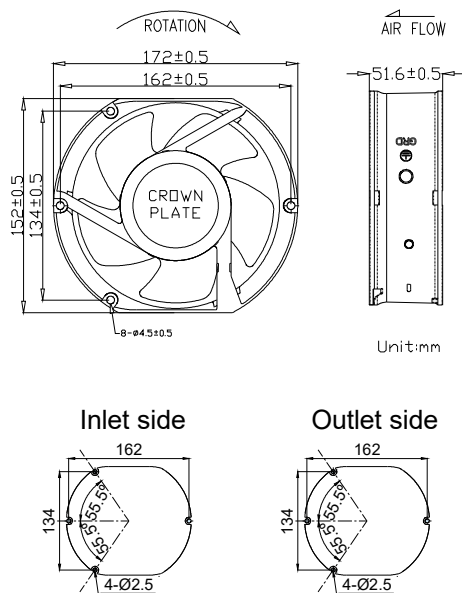
● General Specification

- Motor / DC single phase brushless motor
- Material / Frame : PBT (94V-0) ; Impeller : PBT(94V-0)
- Operation temp. / Two ball bearing : -10°C~70°C
FMB,sleeve Bearing : -10°C~50°C
- Storage temp. / -40°C~80°C
- Non-condensing environment
- Weight / 610g

● Specification *Bearing system B:two ball bearing F:fluid bearing S:sleeve bearing

Model	*Bearing System	Rated Voltage	Operating Voltage	Rated Current	Rated Speed	Maximum Air Flow	Maximum Static Pressure	Sound Level	P-Q Curve		
P/N	B / S / F	V	V	A	RPM	m ³ /min	CFM	Pa	In-H ₂ O	dBA	No.
AGE15051B24J	B	24	14.0~26.4	0.75	3500	7.44	263.0	204.2	0.82	57	①
AGE15051B24L	B	24	14.0~26.4	1.00	4000	8.24	291.0	226.6	0.91	62	②
AGE15051B24M	B	24	14.0~26.4	1.40	4400	9.14	323.0	263.9	1.06	64	③
AGE15051B24H	B	24	14.0~26.4	1.60	4800	9.90	350.0	308.8	1.24	66	④
AGE15051B24U	B	24	14.0~26.4	2.40	5200	10.70	378.0	338.6	1.36	68	⑤
AGE15051B48J	B	48	28.0~56.0	0.50	3500	7.44	263.0	204.2	0.82	57	①
AGE15051B48L	B	48	28.0~56.0	0.50	4000	8.24	291.0	226.6	0.91	62	②
AGE15051B48M	B	48	28.0~56.0	0.70	4400	9.14	323.0	263.9	1.06	64	③
AGE15051B48H	B	48	28.0~56.0	0.80	4800	9.90	350.0	308.8	1.24	66	④
AGE15051B48U	B	48	28.0~56.0	1.00	5200	10.70	378.0	338.6	1.36	68	⑤
AGE15051B48U	B	48	28.0~56.0	2.30	6500	10.70	472.5	527.5	2.12	73	⑥

● Drawing & panel out-cuts



● Characteristic Curves

