

70

AGE series

70*70*10mm



General Specification / 一般規格

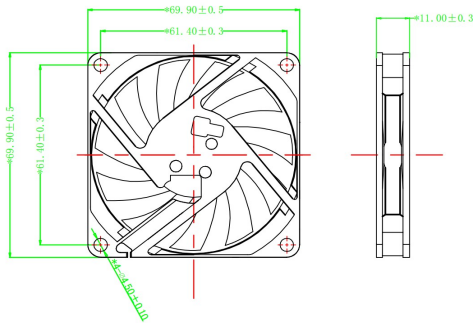
- Motor / DC brushless motor ·馬達 / 直流單向無刷馬達
- Material / Frame: plastic(94V-0) ·材質 / 框: 塑膠(94V-0)
- Impeller : plastic(94V-0) 葉: 塑膠(94V-0)
- Bearing / Ball bearing ·軸承 / 滾珠軸承
- Weight / 25g ·重量 / 25 克



Specification / 詳細規格 *軸承/bearingB:雙滾珠/bal bearing F:FMB S:含油承軸/sleeve bearing

| Model 機型 | Bearing 軸承 | Voltage 電壓 | Operating Voltage 操作電壓 | Current 電流 | Speed 轉速 | Max. Air Flow 最大風量 | Max. Static Pressure 最大靜壓 | Sound 噪音 | Weight 重量 |
|-------------|---------------|---------------|---------------------------|---------------|-------------|----------------------------|---|-------------|--------------|
| Part No. | B/S/F | V | V | A | RPM | m ³ /min CFM | mm-H ₂ O InH ₂ O | dBA | g |
| AGE7010B05S | B | 5 | 3~5.5 | 0.12 | 2000 | 0.29 10.37 | 0.7 0.03 | 20 | |
| AGE7010B05V | B | 5 | 3~5.5 | 0.24 | 3000 | 0.45 16 | 1.42 0.06 | 29 | |
| AGE7010B05U | B | 5 | 3~5.5 | 0.48 | 4000 | 0.62 22 | 2.6 0.10 | 37 | |
| AGE7010B12S | B | 12 | 6~13.2 | 0.04 | 2000 | 0.29 10.37 | 0.7 0.03 | 20 | |
| AGE7010B12V | B | 12 | 6~13.2 | 0.10 | 3000 | 0.45 16 | 1.42 0.06 | 29 | |
| AGE7010B12U | B | 12 | 6~13.2 | 0.22 | 4000 | 0.62 22 | 2.6 0.10 | 37 | |
| AGE7010B24U | B | 24 | 12~26.4 | 0.10 | 4000 | 0.62 22 | 2.6 0.10 | 37 | |

Drawing&panel out-cuts/圖面及出入風口



Unit/單位: mm

Characteristic Curves/特性曲線

